



SPARE PARTS LIST

# LP-6 SERIES PUMP

ESCO PUMPS  
4370 La Jolla Village Drive  
Suite 400 / San Diego/CA 92122

PH: (844) 786-7372

# SECTION DRAWING

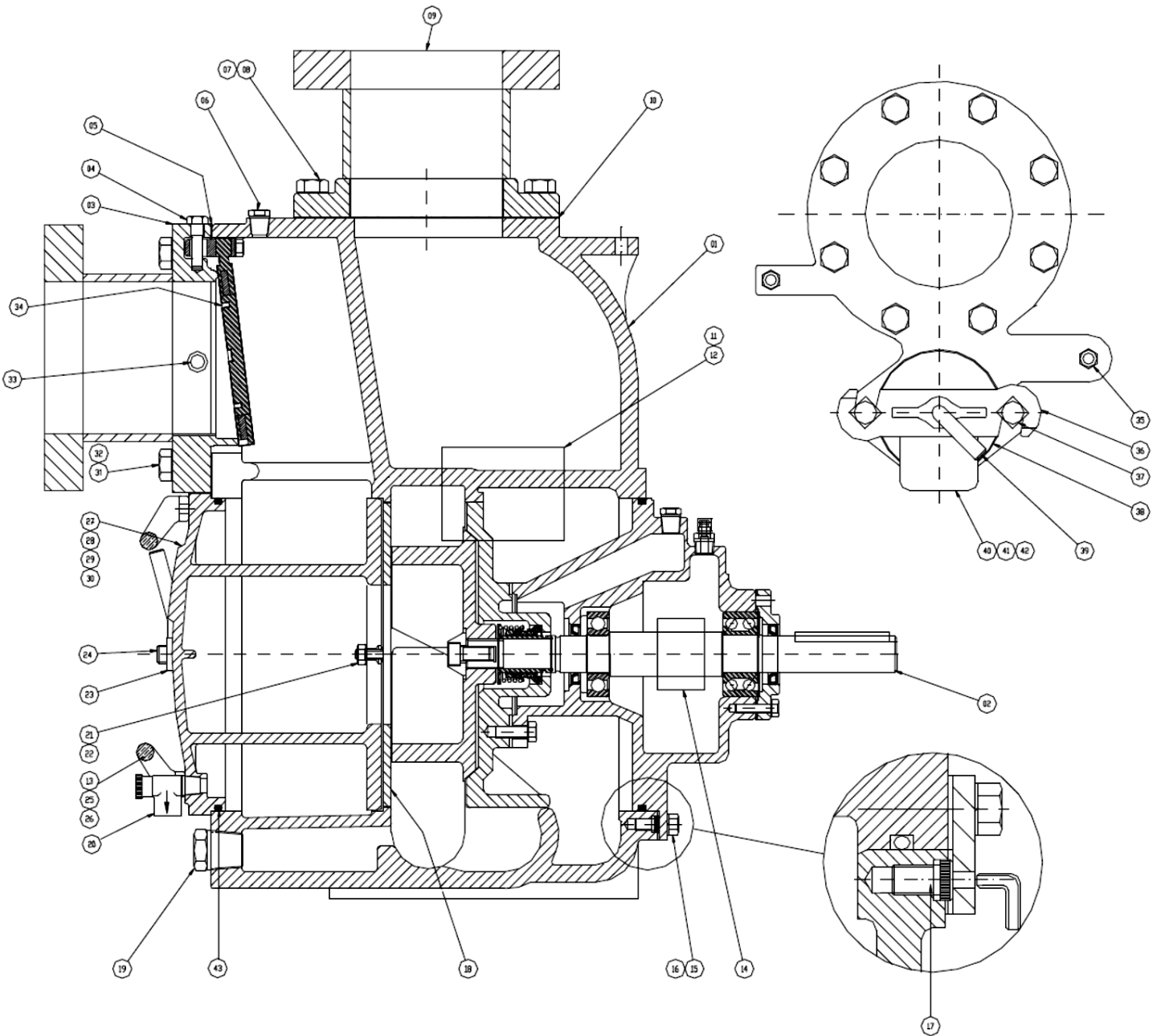


FIGURE 1. PUMP MODEL LP-6

POS.	Q'TY	DESCRIPTION	PART NUMBER
01	1	PUMP CASING	9600130000
02	1	REPAIR ROTATING ASSEMBLY	9600136000 *
03	1	SUCTION SPOOL FLANGE	9802713000
04	1	CHECK VALVE PIN	9901308000
05	1	SUCTION FLANGE GASKET	9901323000 *
06	1	PIPE PLUG	3310271020
07	8	HEX HD CAPSCREW	2101265840
08	8	LOCKWASHER	2321080920
09	1	DISCHARGE SPOOL FLANGE	9802717000
10	1	DISCHARGE FLANGE GASKET	9901324000 *
11	1	NAME PLATE	9901325000
12	4	DRIVE SCREW	2750201200
13	2	BACK COVER PLATE	9800887000
14	1	ROTATION DECAL	9901433000
15	4	HEX HD CAPSCREW	2101263890
16	4	LOCKWASHER	2321080840
17	4	ROTOR ASSEMBLY SCREW SET	2102133870 *
18	1	WEAR PLATE ASSEMBLY	9901327000 *
19	1	CASING DRAIN PLUG	3310271120
20	1	PRESSURE RELIEF VALVE	3768500300
21	4	HEX NUT	2211270030
22	4	LOCKWASHER	2321080800
23	2	HAND NUT	9901309000
24	2	STUD	9901332000
25	4	LOCKWASHER	2321080800
26	4	HEX HD CAPSCREW	2101262570
27	1	BACK COVER PLATE ASSEMBLY	9700451000 *
28	1	WARNING PLATE	9901328000
29	4	DRIVE SCREW	2750201200
30	1	CAUTION DECAL	9901329000
31	8	HEX HD CAPSCREW	2101265840
32	8	LOCKWASHER	2321080920
33	1	PIPE PLUG	3310271020
34	1	SUCTION CHECK VALVE ASSEMBLY	9700460000 *
35	1	PIPE PLUG	3310271020
36	1	CLAMP BAR	9800868000
37	2	MACHINE BOLT	2102565150
38	1	FILL COVER GASKET	9901330000 *
39	1	CLAMP BAR SCREW	9901311000
40	1	FILL COVER ASSEMBLY	9901299000
41	1	WARNING PLATE	9901331000
42	2	DRIVE SCREW	9901330000
43	1	BACK COVER ORING	3606224540 *

**\* RECOMMENDED SPARE PARTS**

# SECTION DRAWING

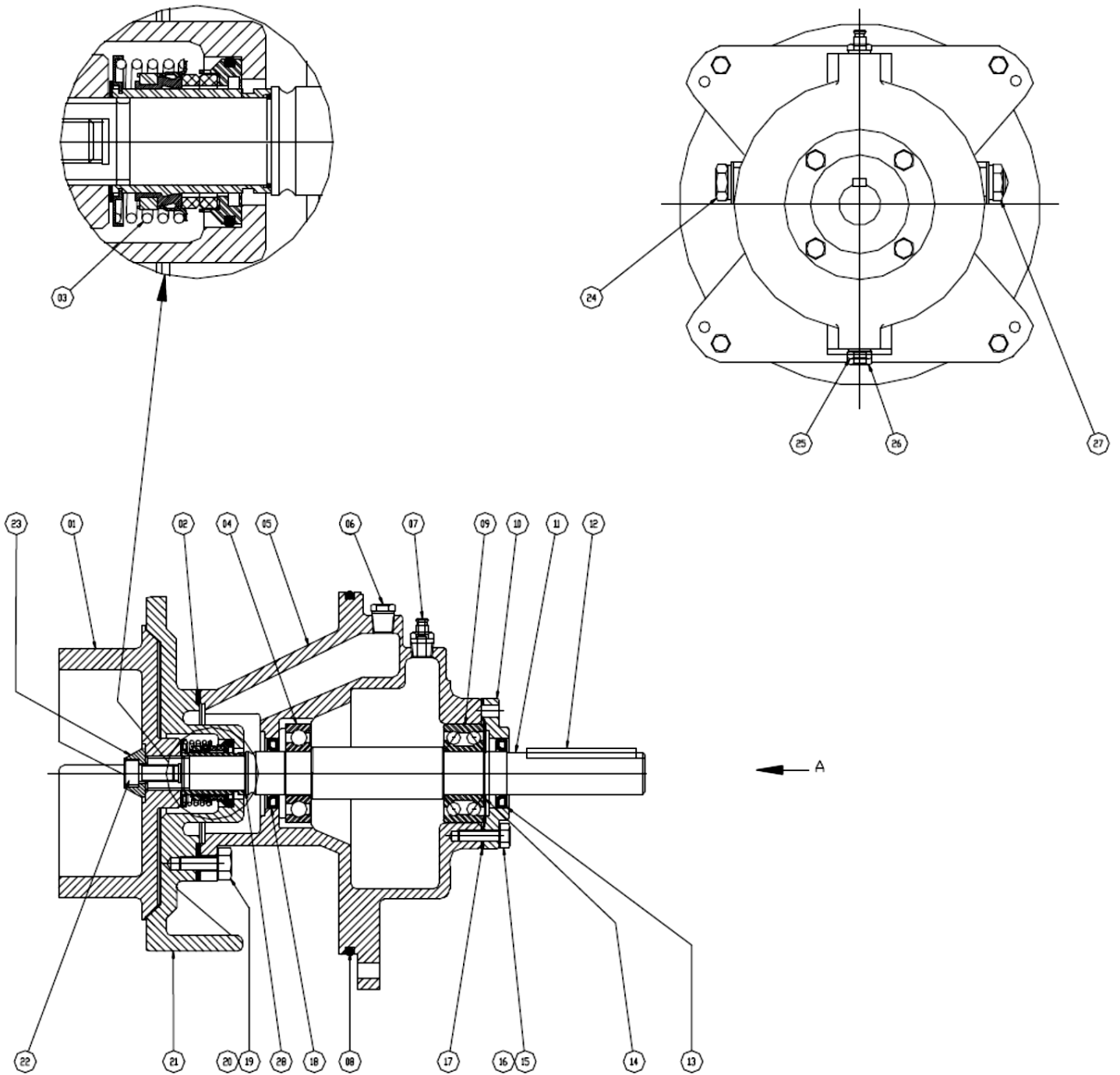


FIGURE 2. REPAIR ROTATING ASSEMBLY LP-6

## REPAIR ROTATING ASSEMBLY LP-6

POS.	Q'TY	DESCRIPTION	PART NUMBER
01	1	IMPELLER	9700453000 *
02	1	SEAL PLATE GASKET	9901333000 *
03	1	SEAL ASSEMBLY	9800906000 *
04	1	INBOARD BALL BEARING	3180012060
05	1	BEARING HOUSE	9700425000
06	1	PIPE PLUG	9901335000
07	1	PIPE PLUG	3310990600
08	1	ROTATING ASSEMBLY ORING	3606224540 *
09	1	OUTBOARD BALL BEARING	3180074380
10	1	BEARING CAP	9800970000
11	1	IMPELLER SHAFT	9901312000
12	1	IMPELLER WASHER	9901313000
13	1	INBOARD OIL SEAL	3680047800 *
14	1	BEARING REATIANING RING	3921501041
15	4	HEX HD CAPSCREW	9800870000
16	4	LOCKWASHER	2321080800
17	1	BEARING CAP GASKET	9901337000 *
18	1	BEARING RETAINER RING	3680047800 *
19	4	HEX HD CAPSCREW	2101263890
20	4	LOCKWASHER	2321080840
21	1	SEAL PLATE	9700454000
22	1	SOCKET HD CAPSCREW	2102141950
23	1	IMPELLER WASHER	9901313000
24	1	PIPE PLUG	3310271080
25	1	PIPE PLUG	3310271060
26	1	PIPE PLUG	3310271060
27	1	SIGHT GAUGE	3480500350
28	1	SEAL ASSEMBLY ORING	3606220240 *

**\* RECOMMENDED SPARE PARTS**