



SPARE PARTS LIST

# LP-3 SERIES PUMP

ESCO PUMPS  
4370 La Jolla Village Drive  
Suite 400 / San Diego/CA 92122  
PH: (844) 786-7372

# SECTION DRAWING

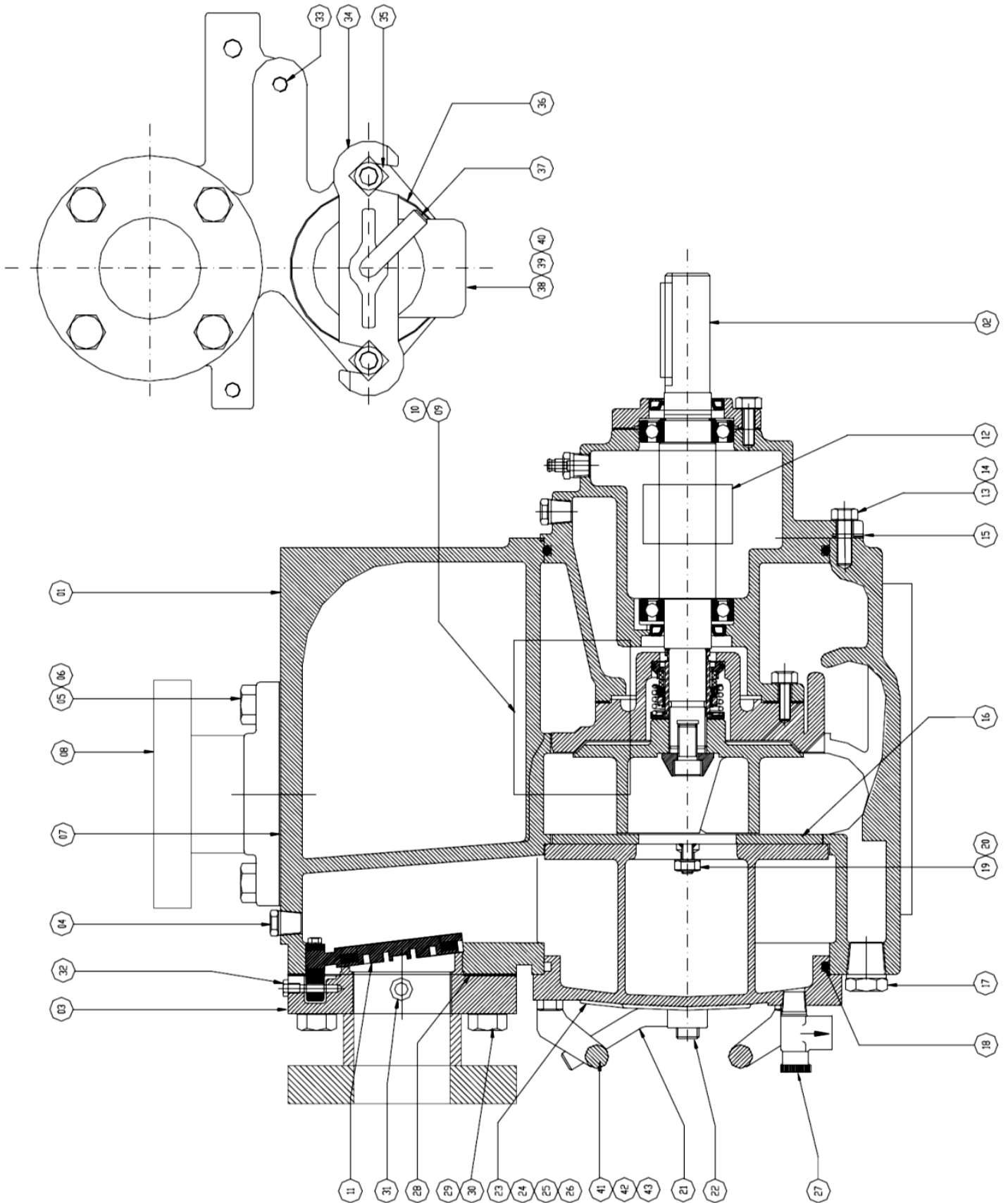


FIGURE 1. PUMP MODEL LP-3

POS.	Q'TY	DESCRIPTION	PART NUMBER
01	1	PUMP CASING	9600131000
02	1	REPAIR ROTATING ASSEMBLY	9600146000 *
03	1	SUCTION SPOOL FLANGE	9802711000
04	1	PIPE PLUG	3310271020
05	4	HEX HD CAPSCREW	2101265080
06	4	LOCKWASHER	2321080880
07	1	DISCHARGE FLANGE GASKET	9901340000 *
08	1	DISCHARGE SPOOL FLANGE	9802715000
09	1	NAME PLATE	9901325000
10	4	DRIVE SCREW	2750201200
11	1	SUCTION CHECK VALVE ASSEMBLY	9700465000 *
12	1	ROTATION DECAL	9901433000
13	4	HEX HD CAPSCREW	2101263890
14	4	LOCKWASHER	2321080840
15	4	ROTATING ASSEMBLY SCREW SET	2102133870 *
16	1	WER PLATE ASSEMBLY	9901346000 *
17	1	CASING DRAIN PLUG	3310271100
18	1	BACK COVER ORING	3606224470 *
19	2	HEX NUT	2211270030
20	2	LOCKWASHER	2321080800
21	1	HAND NUT	9901345000
22	2	STUD	9901347000
23	1	BACK COVER PLATE ASSEMBLY	9700473000 *
24	1	WARNING PLATE	9901328000
25	4	DRIVE SCREW	2750201200
26	1	CAUTION DECAL	9901329000
27	1	PRESSURE RELIEF VALVE	3768500300
28	1	SUCTION FLANGE GASKET	9901348000 *
29	4	HEX HD CAPSCREW	2101265100
30	1	LOCKWASHER	2321080880
31	1	PIPE PLUG	3310271020
32	1	CHECK VALVE PIN	9901349000
33	1	PIPE PLUG	3310271020
34	1	CLAMP BAR	9800868000
35	2	HEX HD CAPSCREW	2102565150
36	1	FILL COVER GASKET	9901330000 *
37	1	CLAMP BAR SCREW	9901311000
38	1	FILL COVER ASSEMBLY	9901299000
39	2	WARNING PLATE	9901331000
40	2	DRIVE SCREW	2750201200
41	2	BACK COVER PLATE	9800887000
42	4	HEX HD CAPSCREW	2101262570
43	4	LOCKWASHER	2321080800

**\* RECOMMENDED SPARE PARTS**

DRIVE END VIEW

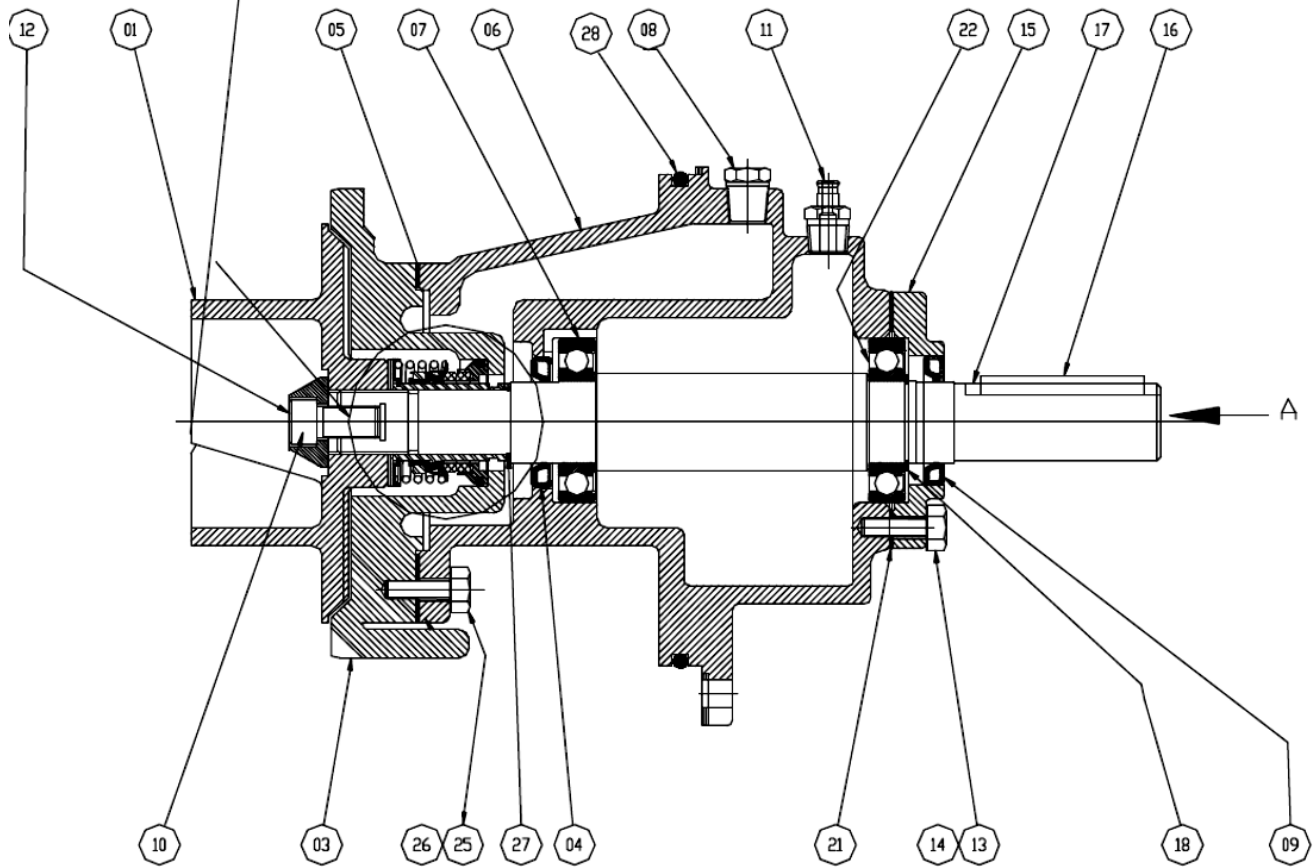
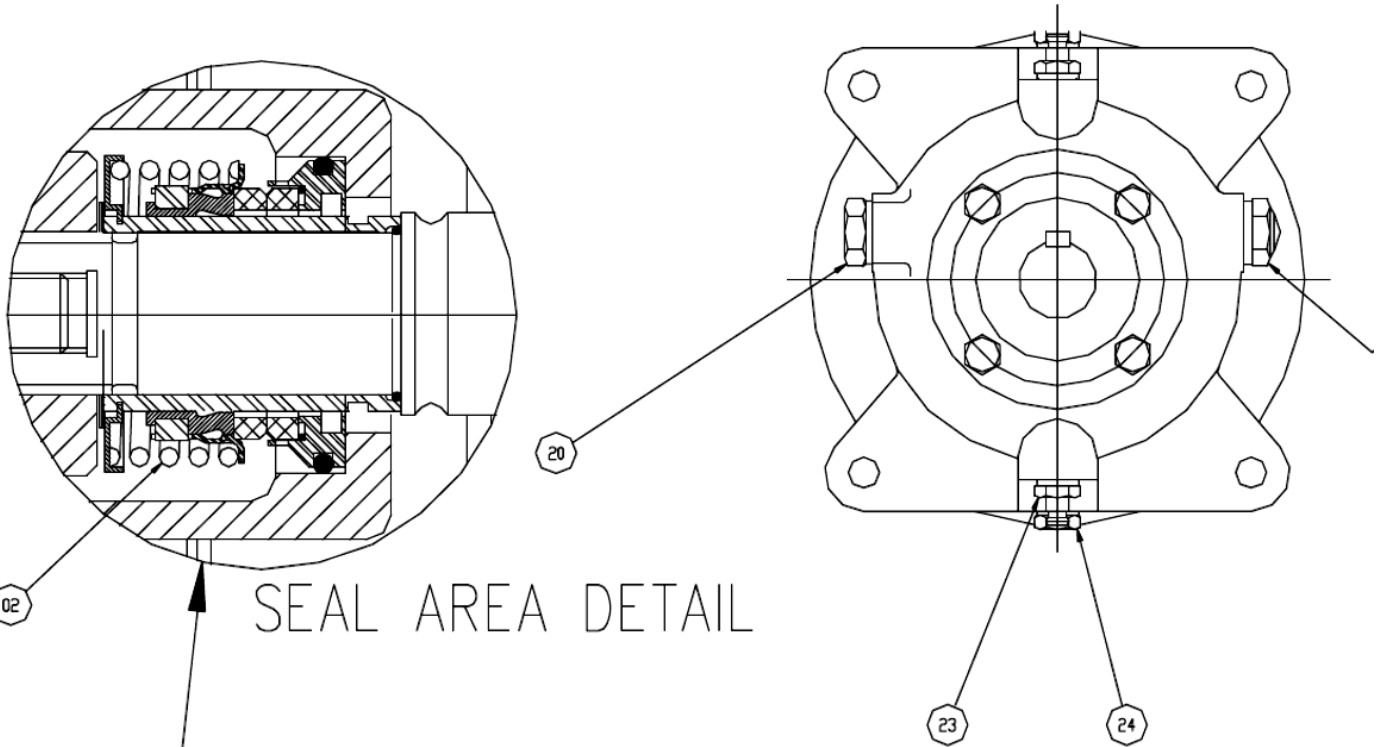


FIGURE 2. REPAIR ROTATING ASSEMBLY LP-3

## REPAIR ROTATING ASSEMBLY LP-3

POS.	Q'TY	DESCRIPTION	PART NUMBER
01	1	IMPELLER	9700474000 *
02	1	SEAL ASSEMBLY	9800906000 *
03	1	SEAL PLATE	9700476000
04	1	INBOARD OIL SEAL	3680047800 *
05	1	SEAL PLATE GASKET	9901333000 *
06	1	BEARING HOUSE	9700475000
07	1	INBOARD BALL BEARING	3180011970 *
08	1	VENTED PLUG	9901335000
09	1	BEARING CAP OIL SEAL	3680047800 *
10	1	SOCKET HD CAPSCREW	2102251660
11	1	AIR VENT	3310990060
12	1	IMPELLER WASHER	9901313000
13	4	HEX HD CAPSCREW	2101262580
14	4	LOCKWASHER	2321080800
15	1	BEARING CAP	9800888000
16	1	SHAFT KEY	9901351000 *
17	1	IMPELLER SHAFT	9901350000
18	1	BEARING RETAINER RING	3921501041
19	1	SIGHT GAUGE	3480500200
20	1	PIPE PLUG	3310271080 *
21	1	BEARING CAP GASKET	9901352000 *
22	1	OUTBOARD BALL BEARING	3180011940
23	1	BEARING HOUSING DRAIN PLUG	3310271060
24	1	SEAL CAVITY DRAIN PLUG	3310271060
25	4	HEX HD CAPSCREW	2101263890
26	4	LOCKWASHER	2321080840
27	1	SEAL PLATE O'RING	3606220240
28	1	ROTATING ASSEMBLY O'RING	3606224470

**\* RECOMMENDED SPARE PARTS**