



SPARE PARTS LIST

# HP-4 SERIES PUMP

ESCO PUMPS  
4370 La Jolla Village Drive  
Suite 400 / San Diego/CA 92122  
PH: (844) 786-7372

# SECTION DRAWING

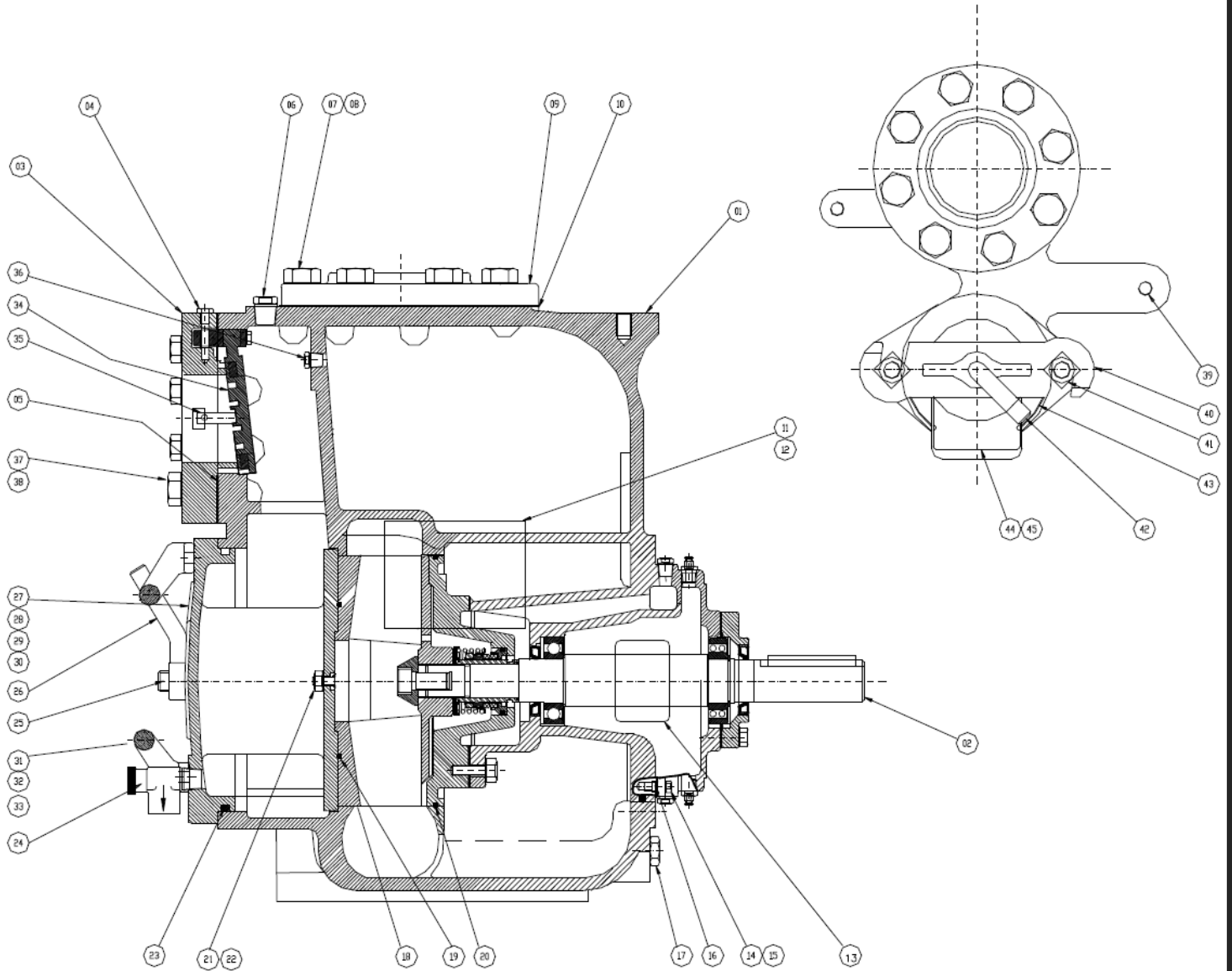


FIGURE 1. PUMP MODEL HP-4

POS.	Q'TY	DESCRIPTION	PART NUMBER
01	1	PUMP CASING	9600133000
02	1	ROTATING ASSEMBLY	9600151000 *
03	1	SUCTION SPOOL FLANGE	9802712000
04	1	CHECK VALVE PIN	9901365000
05	1	SUCTION FLANGE GASKET	9901366000 *
06	1	PIPE PLUG	3310271020
07	8	HEX HD CAPSCREW	2101265080
08	8	LOCKWASHER	2321080880
09	1	DISCHARGE SPOOL FLANGE	9902528000
10	1	DISCHARGE FLANGE GASKET	9901367000 *
11	1	NAME PLATE	9901326000
12	4	DRIVE SCREW	2750201200
13	1	ROTATION DECAL	9901433000
14	4	HEX HD CAPSCREW	2101263890
15	4	LOCKWASHER	2321080840
16	4	HEX HD CAPSCREW	2102133870
17	2	PIPE PLUG	3310271100
18	1	WEAR PLATE ASSY	9800903000 *
19	1	WEAR PLATE ORING	3606222580 *
20	1	COVER ORING	3606222760 *
21	2	HEX NUT	2211270030
22	2	LOCKWASHER	2321080800
23	1	BACK COVER ORING	3606130690 *
24	1	PRESSURE RELIEF VALVE	3768500300
25	2	STUD	9901347000
26	2	HAND NUT	9901345000
27	1	BACK COVER PLATE ASSY	9700481000
28	1	WARNING PLATE	9901328000
29	4	DRIVE SCREW	2750201200
30	1	CAUTION DECAL	9901329000
31	2	BACK COVER PLATE	9800887000
32	4	HEX HD CAPSCREW	2101262570
33	4	LOCKWASHER	2321080800
34	1	CHECK VALVE ASSY	9700463000 *
35	1	PIPE PLUG	3310271120
36	1	PIPE PLUG	3310271020
37	8	HEX HD CAPSCREW	2101265090
38	8	LOCKWASHER	2321080880
39	1	PIPE PLUG	3310271020
40	1	CLAMP BAR	9800868000
41	2	MACHINE BOLT	2102565150
42	1	CLAMP BAR SCREW	9901311000
43	1	FILL COVER GASKET	9901330000 *
44	1	FILL COVER ASSY	9901299000
45	1	WARNING PLATE	9901331000

\*RECOMMENDED SPARE PARTS

# SECTION DRAWING

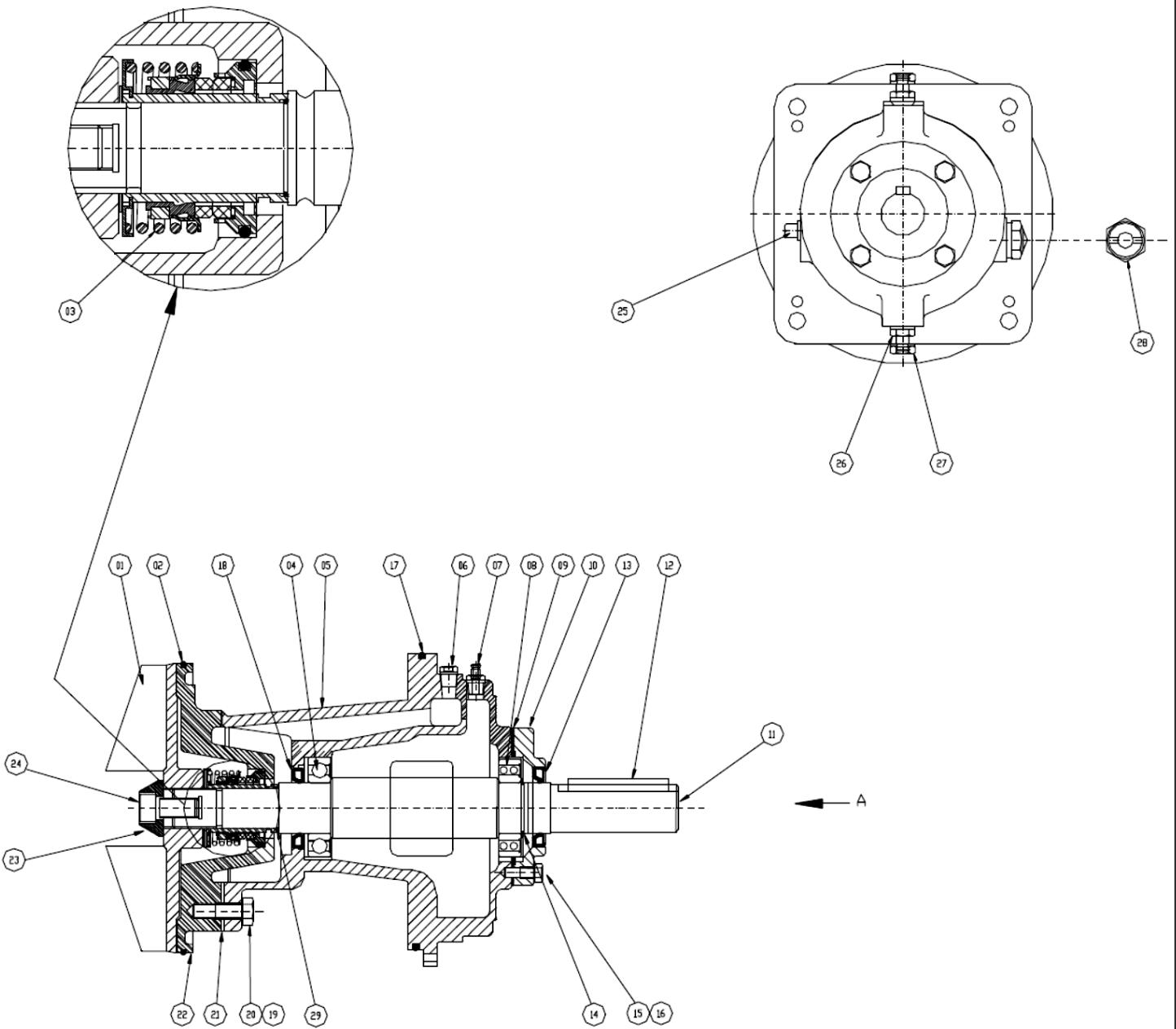


FIGURE 2. REPAIR ROTATING ASSEMBLY HP-4

## REPAIR ROTATING ASSEMBLY HP-4

POS.	Q'TY	DESCRIPTION	PART NUMBER
01	1	IMPELLER	9700483000 *
02	1	SEAL PLATE ORING	3606222760 *
03	1	SEAL ASSEMBLY	9800906000 *
04	1	INBOARD BALL BEARING	3180012060
05	1	BEARING HOUSING	9700485000
06	1	VENTED SEAL CAVITY PLUG	9901335000
07	1	VENTED SEAL CAVITY PLUG	3310990060
08	1	OUTBOARD BALL BEARING	3180074380
09	1	BEARING CAP GASKET	9901337000 *
10	1	BEARING CAP GASKET	9800870000
11	1	IMPELLER SHAFT	9901351000 *
12	1	SHAFT KEY	9800905000
13	1	OUTBOARD OIL SEAL	3680047800
14	1	BEARING RETAINING RING	3921501041
15	4	HEX HD CAPSCREW	2101262580
16	4	LOCKWASHER	2321080800
17	1	ROTATING ASSY ORING	3606129160 *
18	1	INBOARD OIL SEAL	3680047800 *
19	4	HEX HD CAPSCREW	2101263890
20	4	LOCKWASHER	2321080840
21	1	SEAL PLATE GASKET	9901333000 *
22	1	SEAL PLATE	9700484000
23	1	IMPELLER WASHER	9901313000
24	1	IMPELLER CAPSCREW	2102141950
25	1	CASING DRAIN PLUG	3310271080
26	1	BEARING HOUSING DRAIN PLUG	3310271060
27	1	SEAL CAVITY DRAIN PLUG	3310271060
28	1	OIL LEVEL SIGHT GAUGE	3480500200
29	1	SEAL PLATE ORING	3606220240

**\* RECOMMENDED SPARE PARTS**